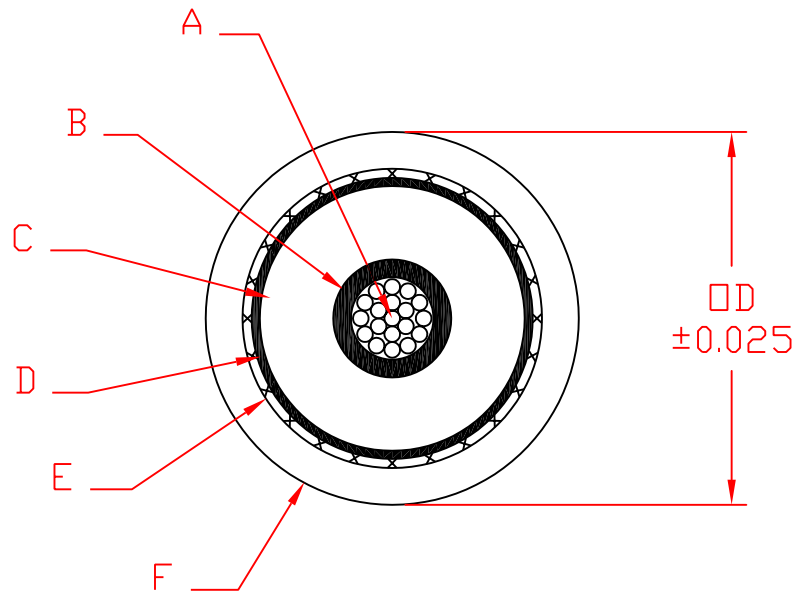


LEGEND

- A. 12AWG (19X 25AWG) SILVER PLATED COPPER
- B. SEMI CON SILICONE TO  $\phi$ .140
- C. INSULATING SILICONE TO  $\phi$ .235  $\pm$ .015
- D. SEMI CON INK & TAPE TO  $\phi$ 0.259
- E. SHIELD, #34AWG(6 ENDS,16 CARRIER) TINNED COATED COPPER BRAID 90% COVERAGE
- F. JACKET



JACKET TYPE	DEFINTION	COLOR	WALL	OD
N	NEOPRENE RUBBER	BLACK	0.06	0.40
S	SILICONE RUBBER	RED	0.06	0.40
T	THERMOPLASTIC RUBBER	BLACK	0.05	0.38
V	VINYL	BLACK	0.05	0.38

REVISIONS

REV	ECO NUMBER	APPD	DATE
-	RELEASE DRAWING		

THIS DOCUMENT AND THE INFORMATION CONTAINED IN IT ARE THE PROPERTY OF DIELECTRIC SCIENCES, INC AND SHALL NOT BE REPRODUCED OR COPIED OR USED AS THE BASIS FOR THE MANUFACTURE OF APPARATUS WITHOUT PERMISSION.

UNLESS OTHERWISE SPECIFIED		DRAWN D. ABDULKY	DATE 14JUN05
DIMENSIONS ARE IN INCHES TOLERANCE ON		CHECKED	DATE
DECIMALS .XX $\pm$ .01 .XXX $\pm$ .005	ANGLES $\pm$	APPROVED	DATE
CONCENTRICITY .005 TIR REMOVE BURRS & SHARP EDGES ALL MACHINE SURFACES 125 $\checkmark$		MATERIAL	
		FINISH	

**DIELECTRIC SCIENCES, INC**  
CHELMSFORD, MASSACHUSETTS 01824

CABLE: 1/C #12 AWG ; 15KVDC

SIZE <b>A</b>	FSCM NO. <b>50509</b>	DWG NO. <b>2075SJ</b>	REV
SCALE	SHEET OF		