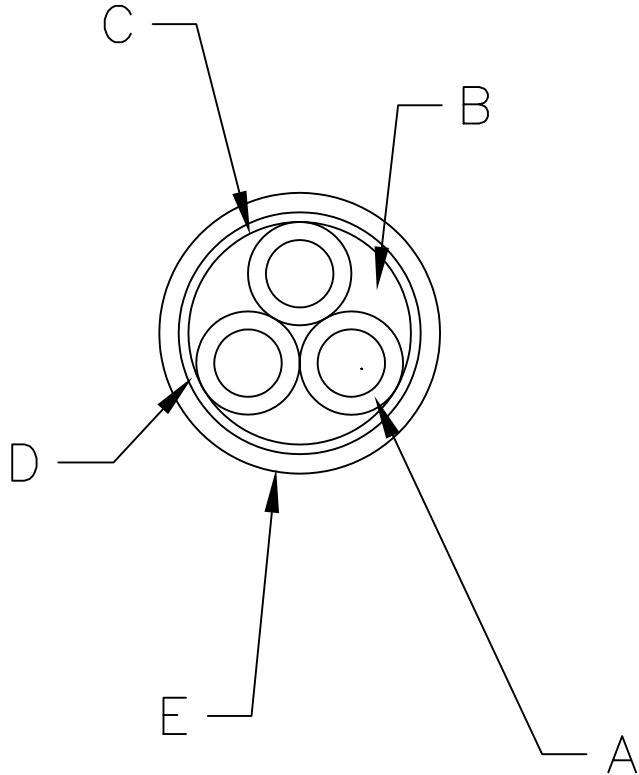


LEGEND

- A. 3X #8 AWG, SILICONE INSULATED WIRE TO ϕ .256
- B. FILLER MATERIAL TO ϕ .57
- C. SEMICONDUCTIVE TAPE (.005 THK, HALF-LAPPED)
- D. SHIELD, #34AWG T.C. 85% COVERAGE
- F. JACKET: NEOPRENE; BLACK .06 THK WALL TO ϕ 1.505 \pm .025



REVISIONS

THIS DOCUMENT AND THE INFORMATION CONTAINED IN IT ARE THE PROPERTY OF DIELECTRIC SCIENCES, INC AND SHALL NOT BE REPRODUCED OR COPIED OR USED AS THE BASIS FOR THE MANUFACTURE OF APPARATUS WITHOUT PERMISSION.

REV	ECO NUMBER	APPD	DATE	UNLESS OTHERWISE SPECIFIED	DRAWN GPLAMBERT	DATE 31OCT02	DIELECTRIC SCIENCES, INC CHELMSFORD, MASSACHUSETTS 01824			
-	RELEASE DRAWING	JAG	01OCT01	DIMENSIONS ARE IN INCHES TOLERANCE ON	CHECKED DJ LEARY	DATE 31OCT02				CABLE: COMPOSITE 3/C
				DECIMALS .XX \pm .01 .XXX \pm .005	APPROVED DJ LEARY	DATE 31OCT02	SIZE A	FSCM NO. 50509	DWG NO. 2183	
				ANGLES \pm	MATERIAL		SCALE			
				CONCENTRICITY .005 TIR REMOVE BURRS & SHARP EDGES ALL MACHINE SURFACES 125 \checkmark	FINISH		SHEET 1 OF 1			
				DO NOT SCALE THIS DRAWING						